



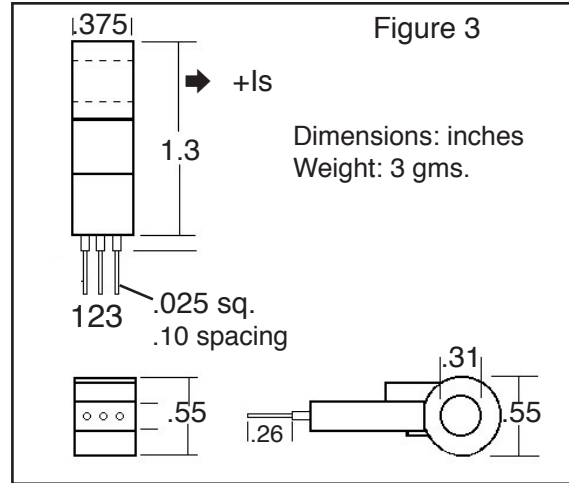
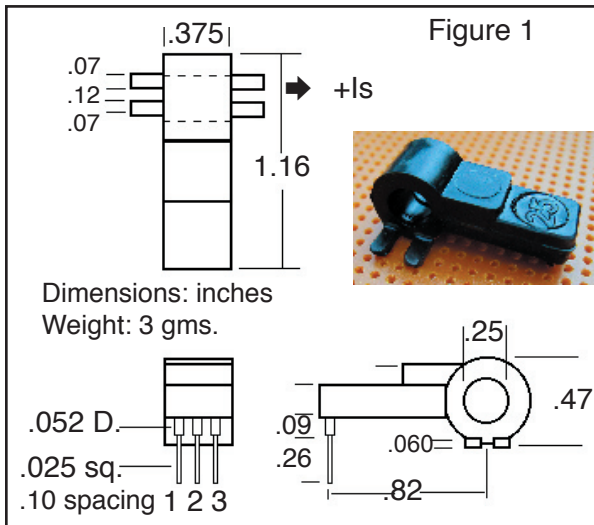
## 25 to 100 Ampere Ratings

805/964-9119 FAX 805/967-8789  
 Box 152, Goleta, CA 93116  
 e-mail:sales@amploc.com  
 www.amploc.com

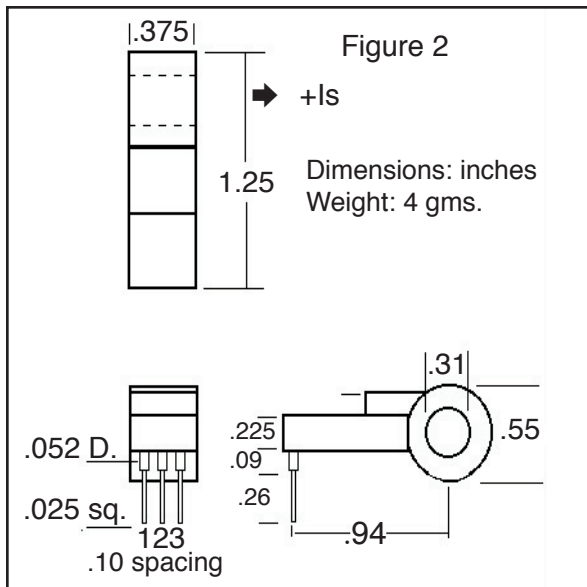
Hall effect linear sensors. (-55 to +125C)

Sensor Style	Fig.	Sensed Current (Amps peak)	Vs= +12V $\Delta V_o$ at peak rated current *	Vs= +12V Sensitivity mV/A *	
PRO25	1	25	1.4V.	56	
PRO50	1	50	2.3V.	46	
PRO100	2	100	2.9V.	29	
PRO50S	3	50	2.3V.	46	

\* proportional to Vs



**Caution:** Do not reverse supply voltage polarity.



### ELECTRICAL CHARACTERISTICS

Supply voltage, Vs.....	+6.6 to +12.6Vdc
Supply Current.....	25mA max.
Output Current.....	1mA max.
Offset Voltage, Vo(Sensed Current= 0A.).Vs/2±1%	
Output Voltage, Vo is proportional to Vs.	
Temperature Error	
Null.....	.02%/C
Gain.....	.02%/C
Temperature Range.....	-55C to + 125C
Response Time.....	2µSec.
Linearity (Full Scale).....	1%
Accuracy (Full Scale).....	±3%
A. C. Hysteresis Error.....	0.8%